

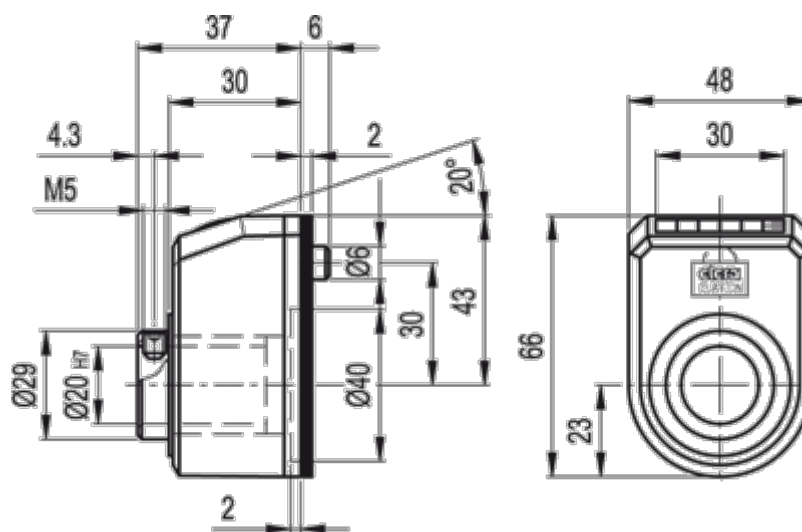
Data Sheet



Article number: 2307082154

Description: E+G Direct drive position indikator
DD52R-AN-0001.0-S-C2 (Orange)

Measures



Max rpm = 1500